

Seats

seat 010

Dimension (mm)

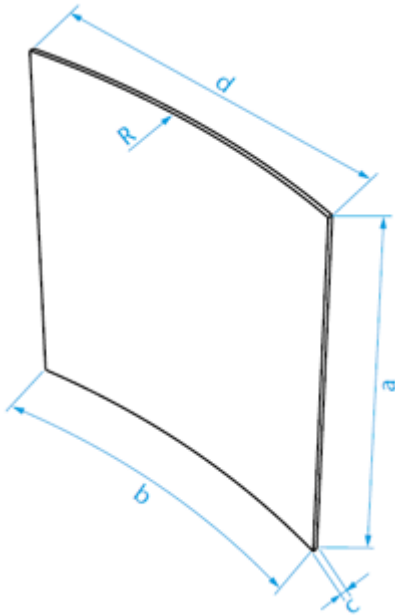
without stops

	min.	max.
a		550
b		550
c	5	15
d		545

size version

a	500
b	500
c	15
d	495

Radius (mm) R 1300



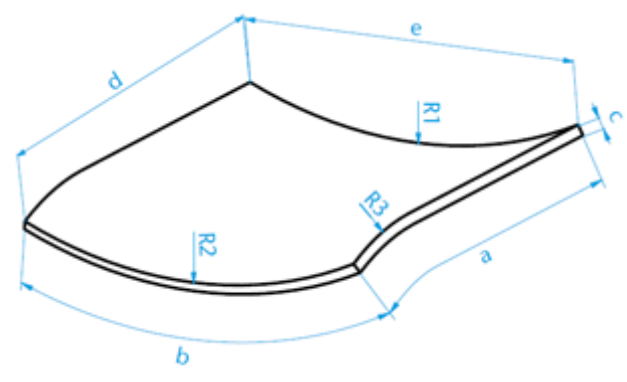
seat 013

Dimension (mm)

without stops

	min.	max.
a		500
b		500
c	9	20
d		497
e		495

Radius (mm) R2 230



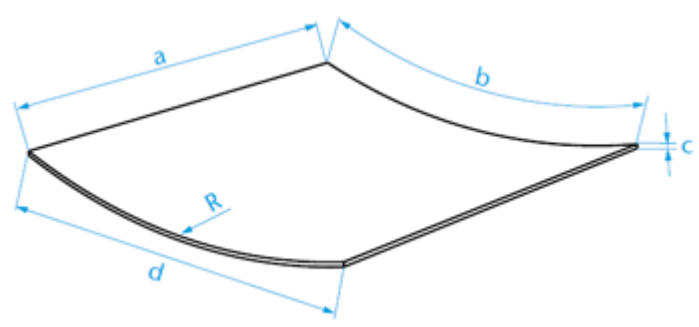
seat 015

Dimension (mm)

without stops

	min.	max.
a		660
b		500
c	5	19
d		495

Radius (mm) R 850

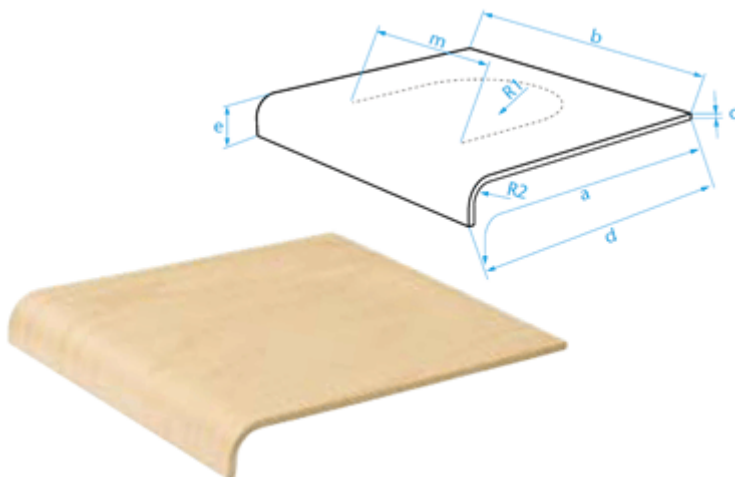


seat 016

Dimension (mm)

without stops

	min.	max.
a		550
b		550
c	7	10
d	<hr/>	
e		70

Radius (mm)
R1 110, R2 30Diameter/Depth of depression (mm)
m=280/10**seat 021**

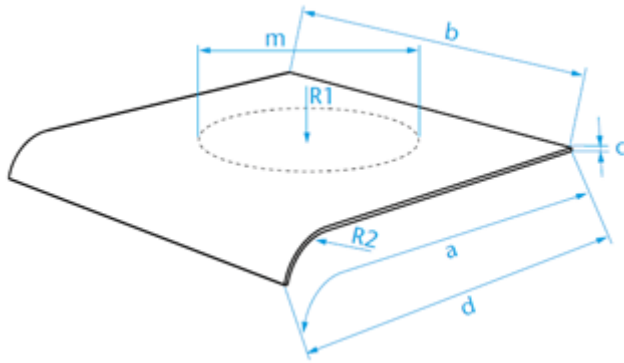
Dimension (mm)

without stops

	min.	max.
a		550
b		550
c	5	11
d	<hr/>	
		530

Radius (mm)
R1 570, R2 65

Diameter/Depth of depression (mm)
 $m=300/24$



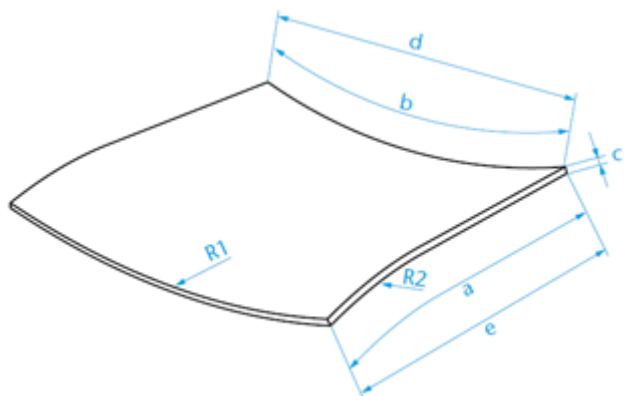
seat 024

Dimension (mm)

without stops

	min.	max.
a		500
b		500
c	9	21
d		490
e		493

Radius (mm)
 $R1$ 540, $R2$ 750



seat 027

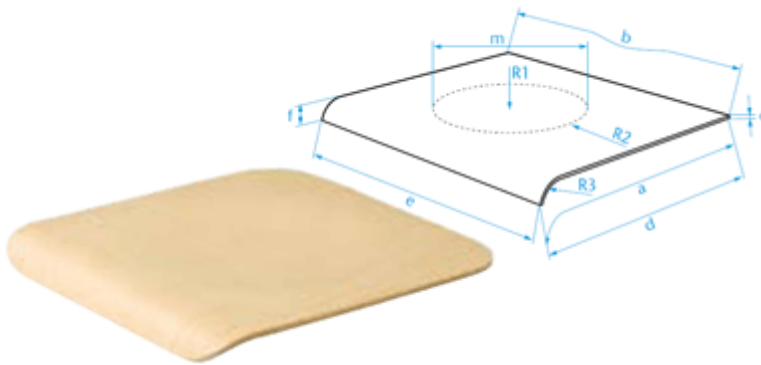
Dimension (mm)

without stops

	min.	max.
a		500
b		500
c	5	9
<hr/>		
d		455
e		498
f		35

Radius (mm)
R1 670, R2 335, R3 40

Diameter/Depth of depression (mm)
 $m=270/18$



seat 029

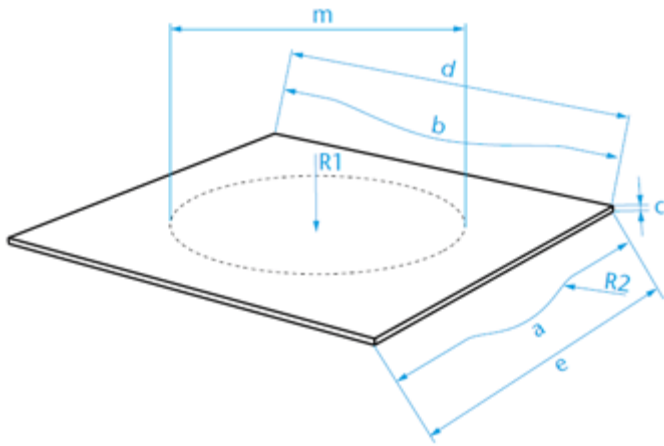
Dimension (mm)

without stops

	min.	max.
a		500
b		500
c	7	30
<hr/>		
d		497
e		497

Radius (mm)
R1 1150, R2 450

Diameter/Depth of depression (mm)
 $m=240/9$



seat 030

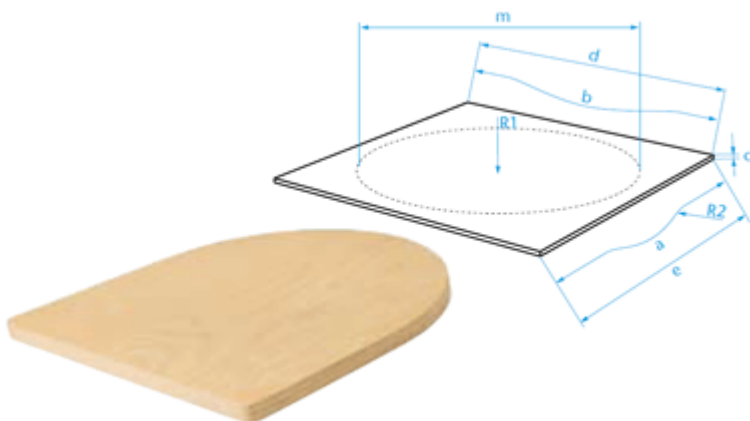
Dimension (mm)

without stops

	min.	max.
a		500
b		500
c	3	30
d		497
e		497

Radius (mm)
R1 625, R2 1050

Diameter/Depth of depression (mm)
m=310/15



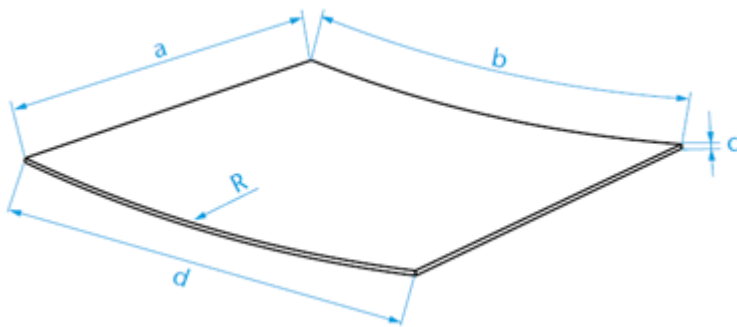
seat 031

Dimension (mm)

without stops

	min.	max.
a		550
b		550
c	5	30
d		548

Radius (mm) R 2000



seat 032

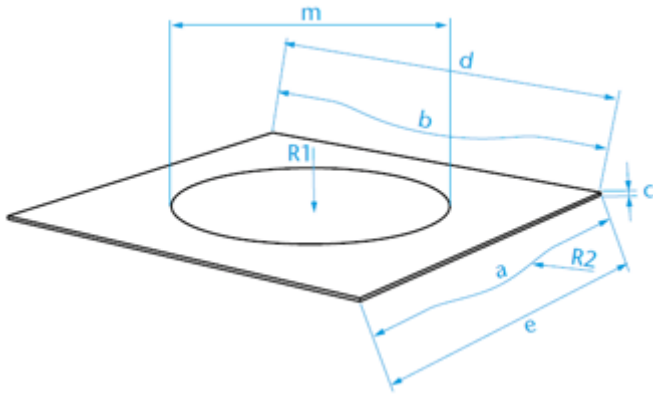
Dimension (mm)

without stops

	min.	max.
a		500
b		500
c	3	15
d		501
e		501

Radius (mm)
R1 550, R2 150

Diameter/Depth of depression (mm)
 $m=205/10$



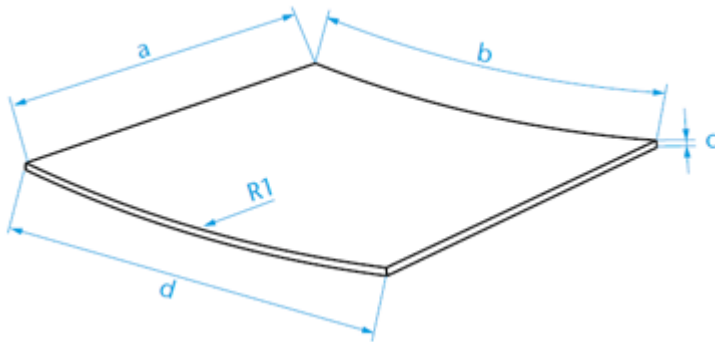
seat 035

Dimension (mm)

without stops

	min.	max.
a		550
b		550
c	5	30
d		547

Radius (mm) R 2000



seat 037

Dimension (mm)

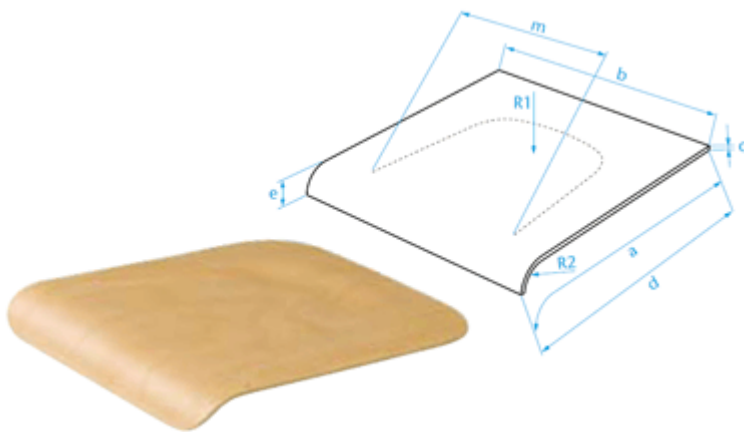
without stops

	min.	max.
a		560

b		500
c	5	9
d		526
e		52

Radius (mm)
R1 57, R2 50

Diameter/Depth of depression (mm)
m=314/11/315



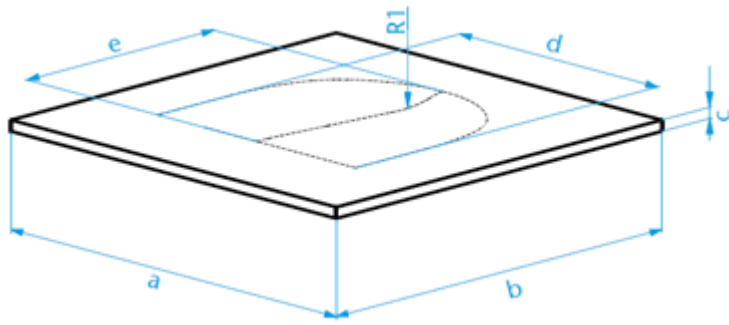
seat 038

Dimension (mm)

without stops

	min.	max.
a		500
b		500
c	11	30
d		495
e		290
f		330
g		240

Radius (mm) R 400



seat 039

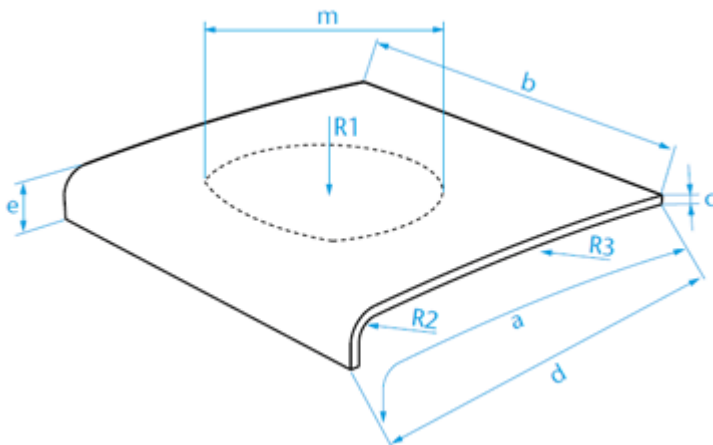
Dimension (mm)

without stops

	min.	max.
a		500
b		500
c	9	11
d	<hr/>	
d		460
e		60

Radius (mm)
R1 4000, R2 20, R3 880

Diameter/Depth of depression (mm)
 $m=270/12$



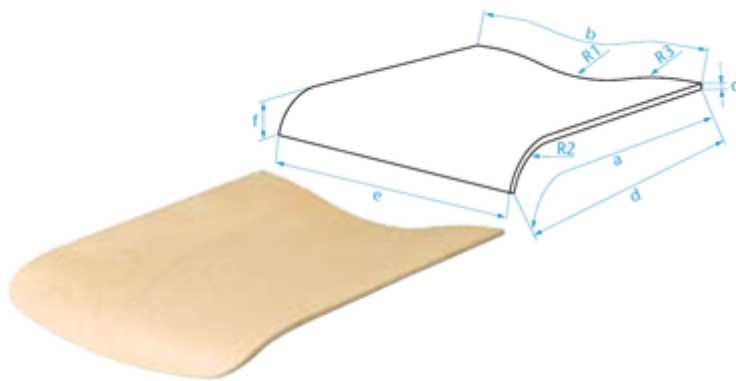
seat 044

Dimension (mm)

without stops

	min.	max.
a		550
b		550
c	7	11
<hr/>		
d		530
e		535
f		70

Radius (mm)
R1 350, R2 80, R3 510



seat 047

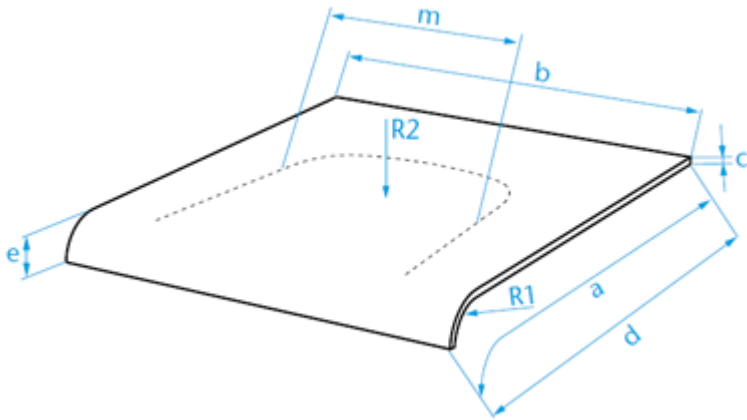
Dimension (mm)

without stops

	min.	max.
a		450
b		450
c	5	9
<hr/>		
d		410
e		70

Radius (mm)
R1 45, R2 480

Diameter/Depth of depression (mm)
m=220/7



seat 050

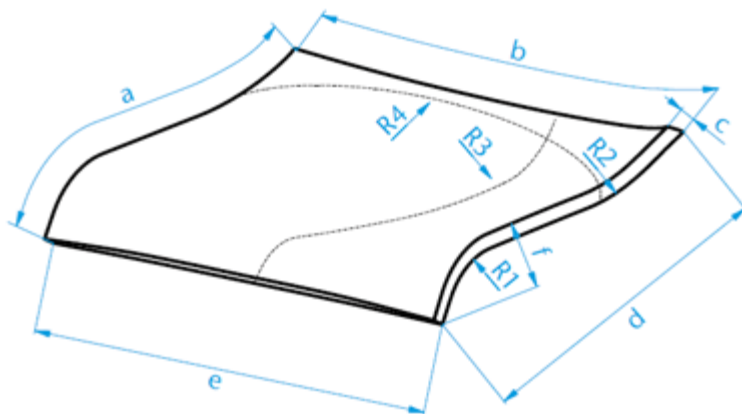
Dimension (mm)

without stops

	min.	max.
a		500
b		500
c	7	9
d		460
e		485
f		50
g		470

Radius (mm)
R1 115, R2 110, R3 550

Diameter/Depth of depression (mm)
 $m=220/7$



not for exposed plywood parts (1st quality)

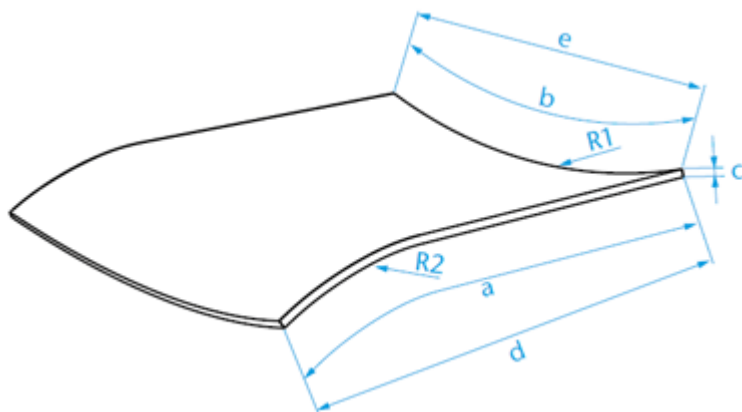
seat 053

Dimension (mm)

without stops

	min.	max.
a		500
b		500
c	5	15
d		497
e		490

Radius (mm)
R1 780, R2 280



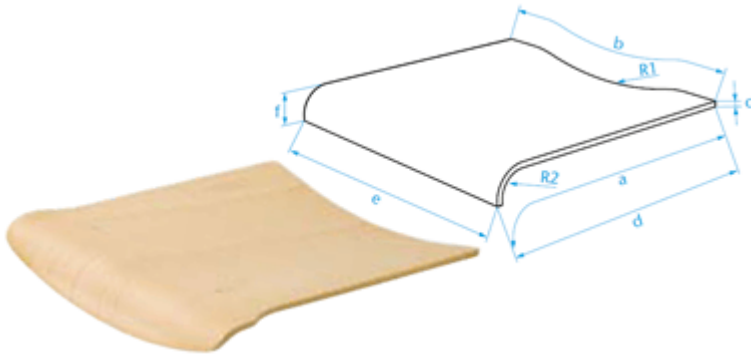
seat 056

Dimension (mm)

without stops

	min.	max.
a		600
b		600
c	9	11
d		535
e		595

Radius (mm)
R1 700, R2 40



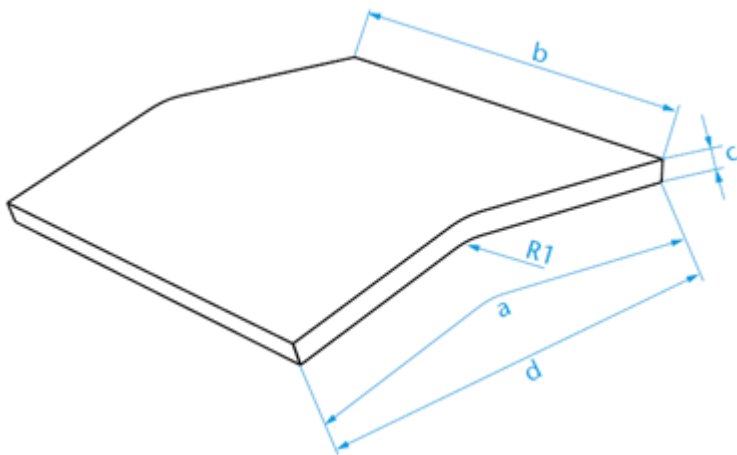
seat 059

Dimension (mm)

without stops

	min.	max.
a		500
b		500
c	20	25
d	485	

Radius (mm) R1 100



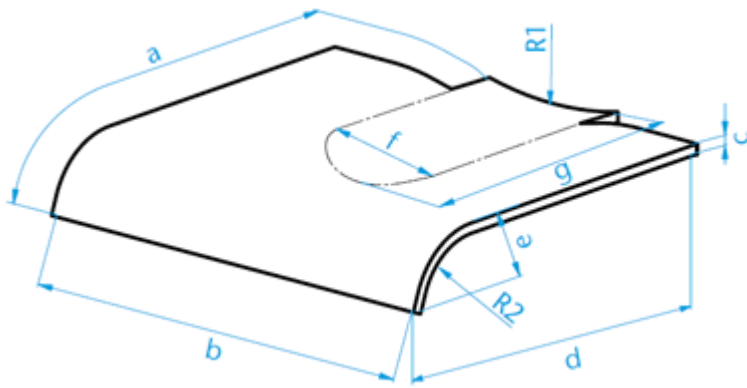
seat 060

Dimension (mm)

without stops

	min.	max.
a		550
b		500
c	9	9
d		470
e		72
f		300
g		350

Radius (mm)
R1 930, R2 100



not for exposed plywood parts (1st quality)

seat 061

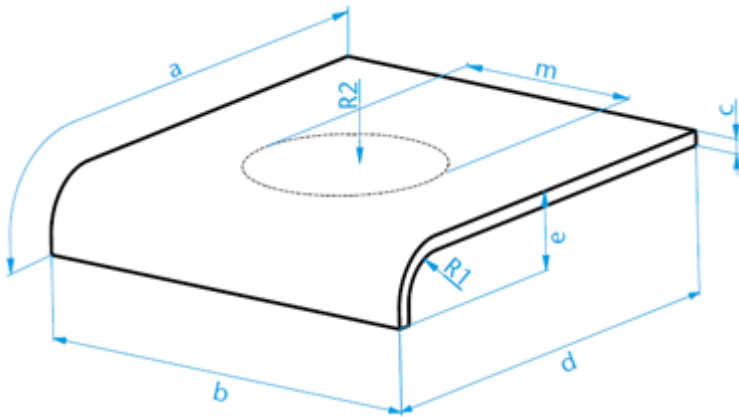
Dimension (mm)

without stops

	min.	max.
a		420
b		420
c	7	9
d		380
e		70

Radius (mm)
R1 50, R2 600

Diameter/Depth of depression (mm)
 $m=205/9$



seat 065

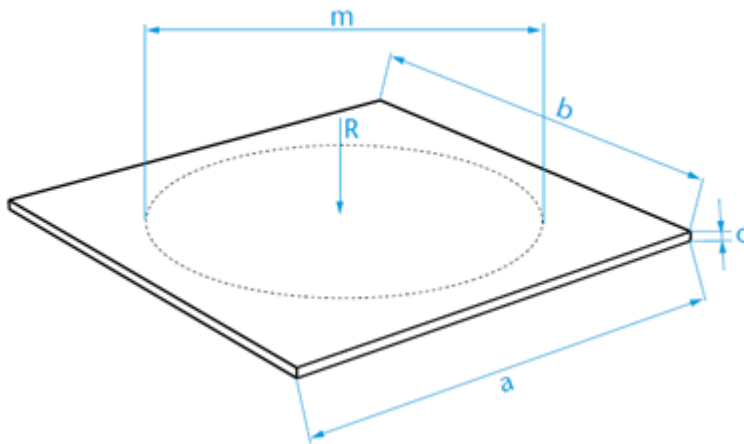
Dimension (mm)

without stops

	min.	max.
a		720
b		720
c	5	15
d		

Radius (mm) R 4000

Diameter/Depth of depression (mm)
 $m=676/11$



seat 068

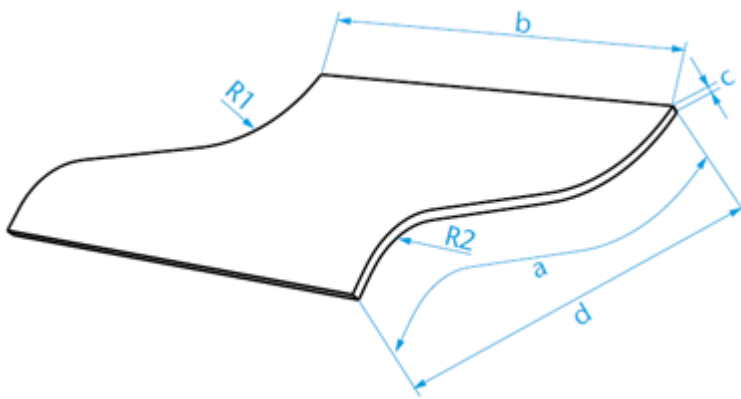
Dimension (mm)

without stops

	min.	max.
a		460
b		490
c	9	11
d		430

Radius (mm)

R1 270, R2 90



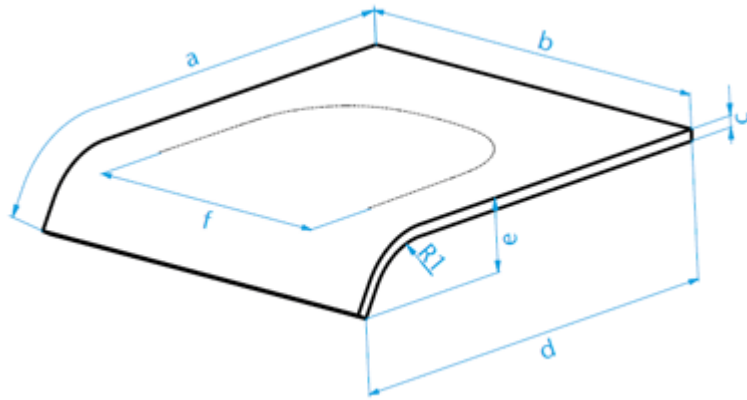
seat 069

Dimension (mm)

without stops

	min.	max.
a		500
b		500
c	7	9
d		480
e		50
f		350
hloubka muldy		15

Radius (mm) R 90



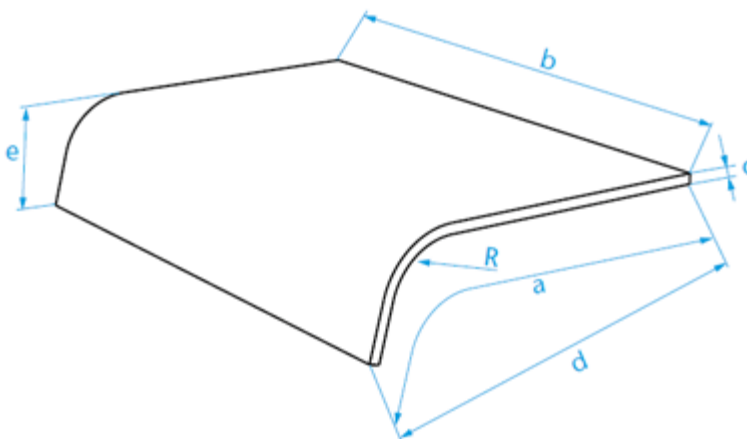
seat 072

Dimension (mm)

without stops

	min.	max.
a		320
b		450
c	7	9
d		280
e		80

Radius (mm) R 50



seat 084

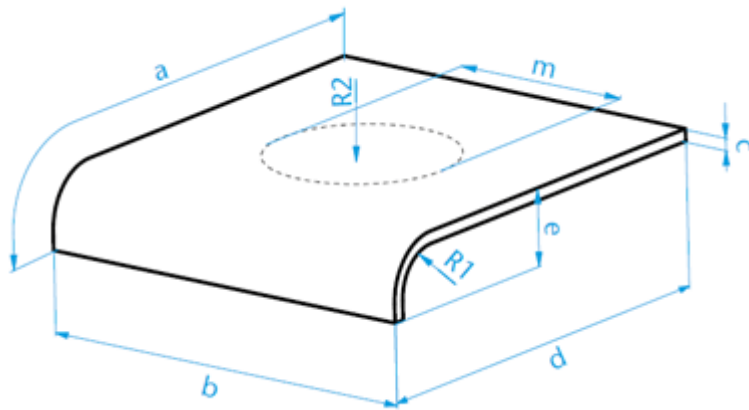
Dimension (mm)

without stops

	min.	max.
a		413
b		420
c	7	11
<hr/>		
d		360
e		60
f		1

Radius (mm)
R1 835, R2 25, R3 200

Diameter/Depth of depression (mm)
 $m=200/6$



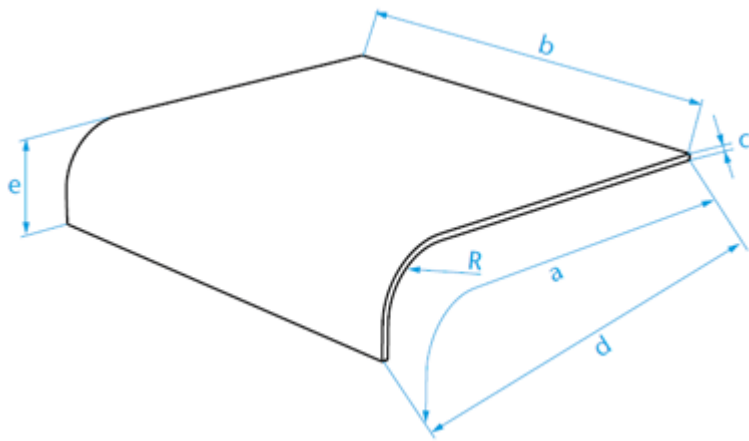
seat 089

Dimension (mm)

without stops

	min.	max.
a		625
b		650
c	5	11
<hr/>		
d		565
e		120

Radius (mm) R 65



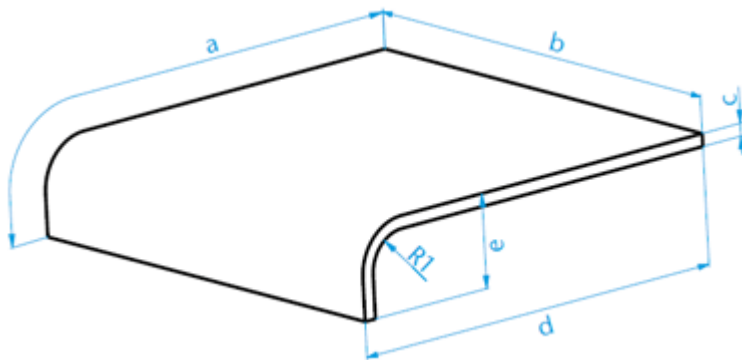
seat 101

Dimension (mm)

without stops

	min.	max.
a		555
b		550
c	5	9
d		480
e		107

Radius (mm) R 60



seat 134

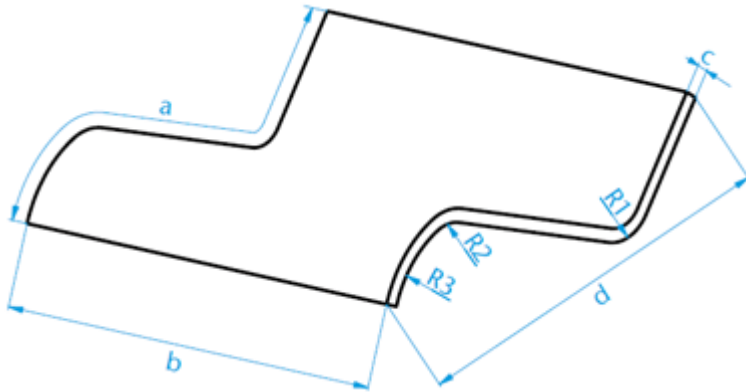
Dimension (mm)

without stops

	min.	max.
--	------	------

a		500
b		500
c	9	11
d		420

Radius (mm)
R1 50, R2 45, R3 125



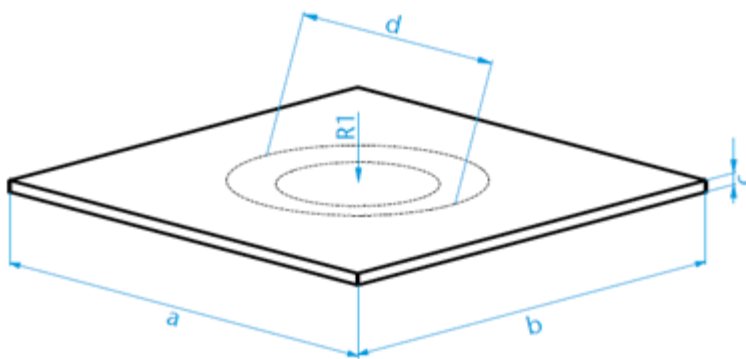
seat 148

Dimension (mm)

without stops

	min.	max.
a		420
b		420
c	3	19
d		240

Radius (mm) R 480



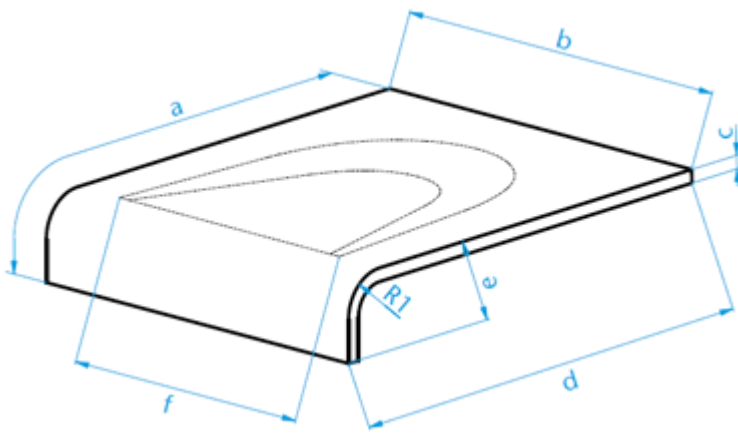
seat 154

Dimension (mm)

without stops

	min.	max.
a		350
b		330
c	5	9
d		310
e		60
f		240

Radius (mm) R 35



seat 158

Dimension (mm)

without stops

a	550
b	500
c	7
d	510

Radius (mm) R 70

